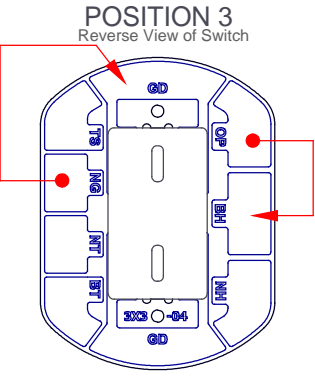
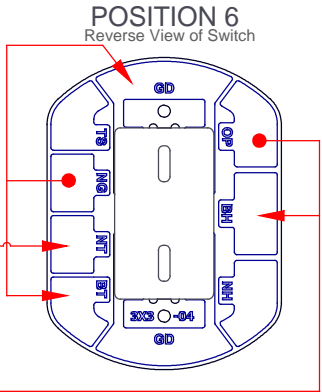
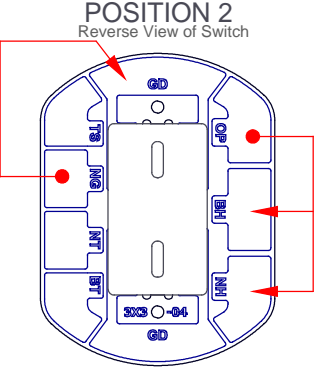
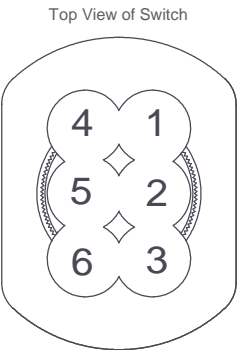
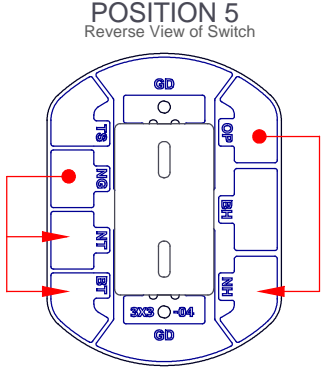
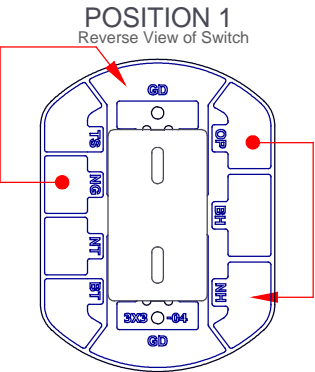
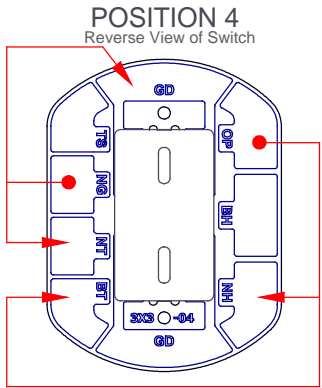
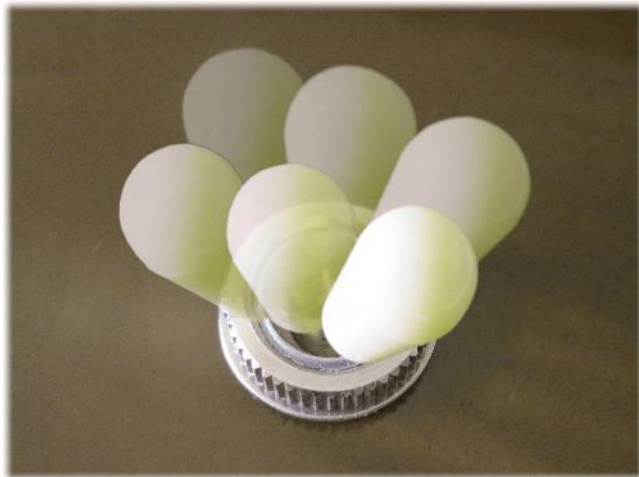


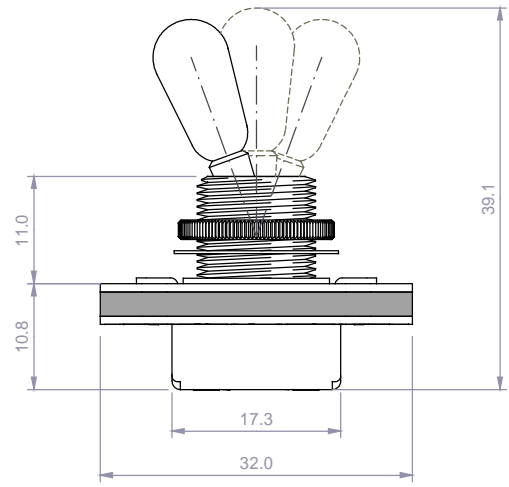
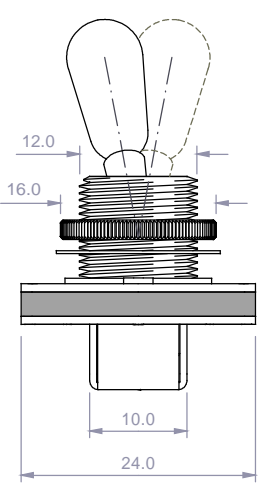
FREE-WAY SWITCH

www.freewayswitch.com

MANUFACTURED IN ENGLAND BY NSF CONTROLS LTD



TS Function
'TS' is connected momentarily to 'OP' at the intermediate points between positions 4-5 and positions 5-6 (used to prevent open circuit states)



3X3-04 Schematic : Last Updated June 2013